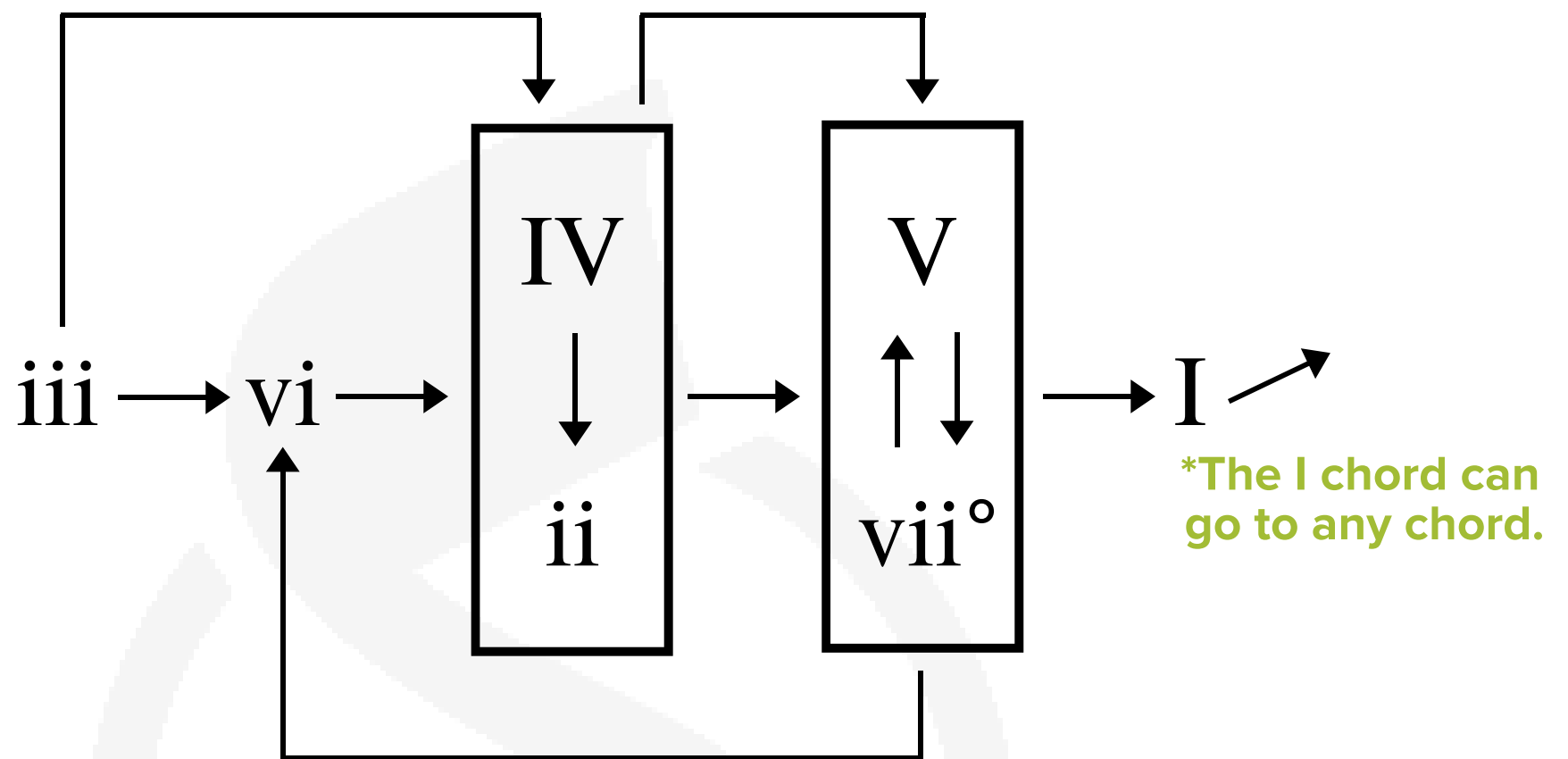
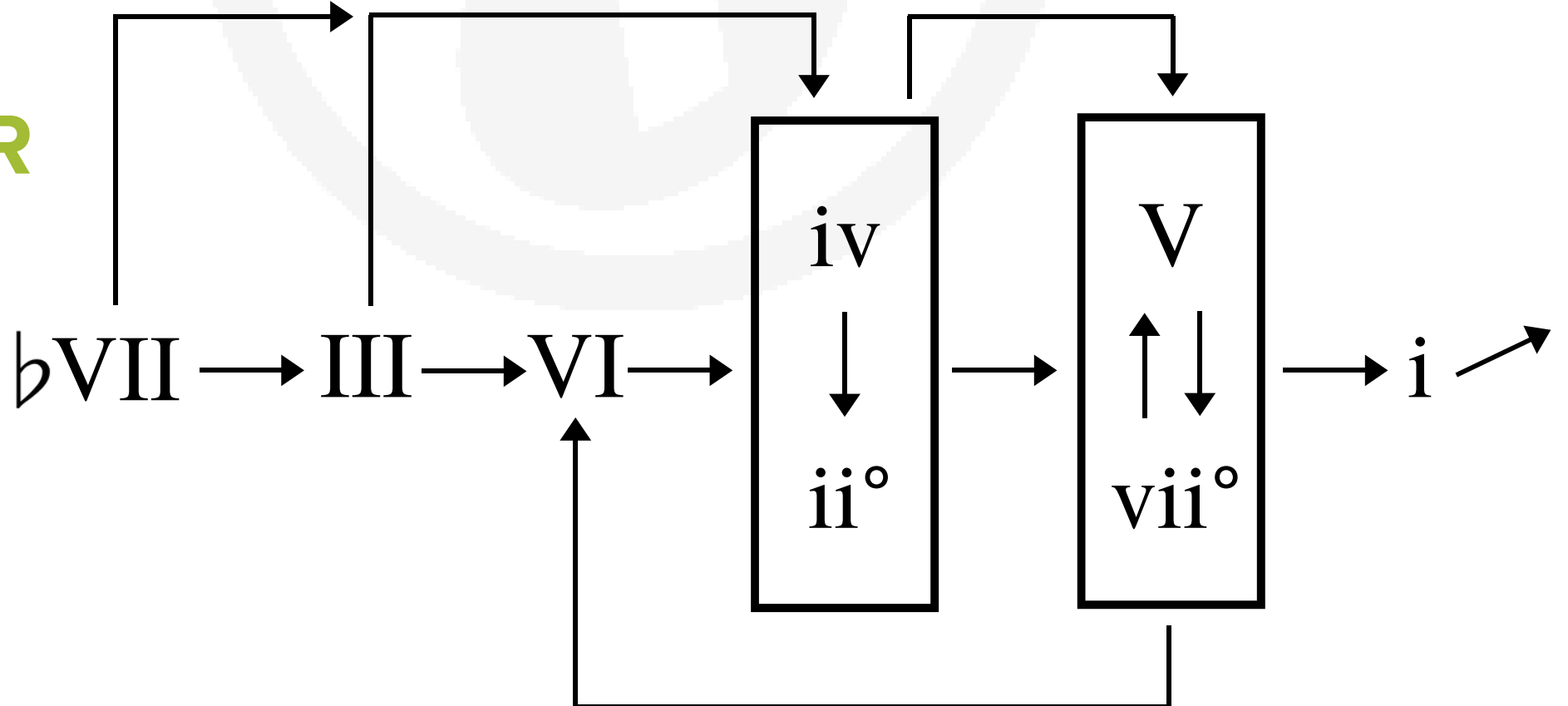


CHORD PROGRESSION FORMULAS

FOR MAJOR KEYS



FOR MINOR KEYS



*In this chart, the harmonic minor is assumed.